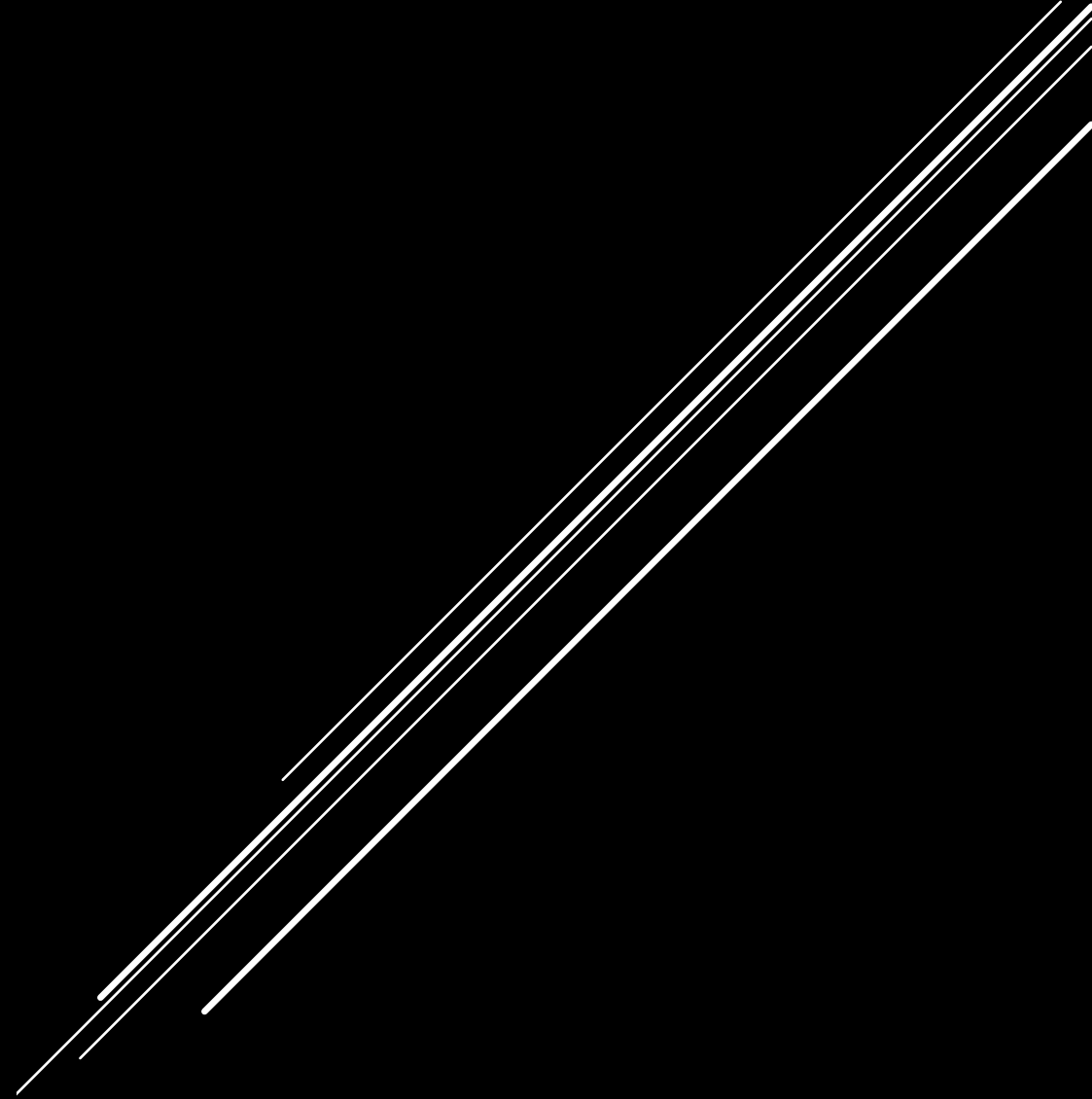


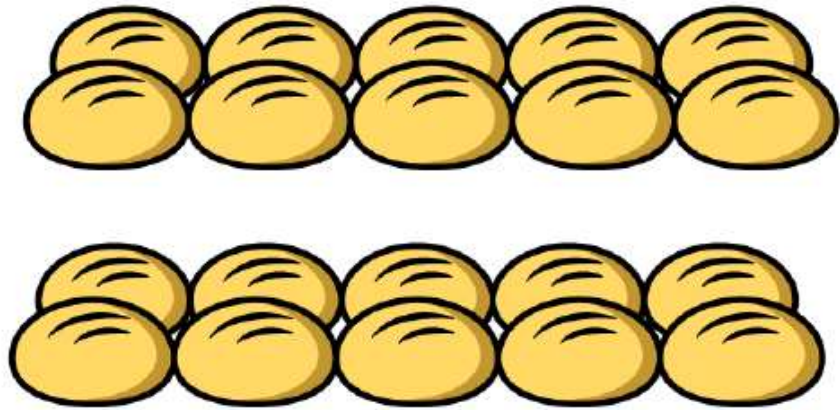
YEAR 6 MATHS WEEK 14 LESSON 1

Investigations



PROBLEM STARTER

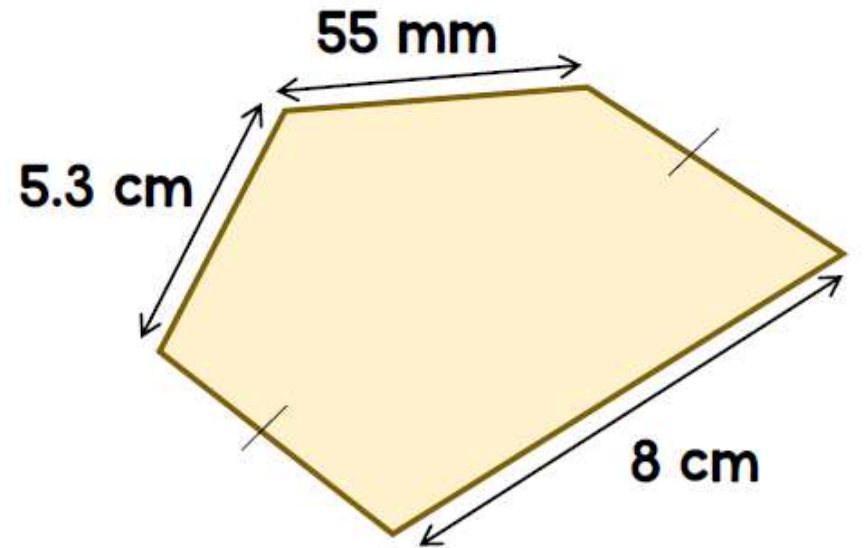
1 Sam has these bread rolls to sell.



He sells 14 of the bread rolls.

How many does he have left?

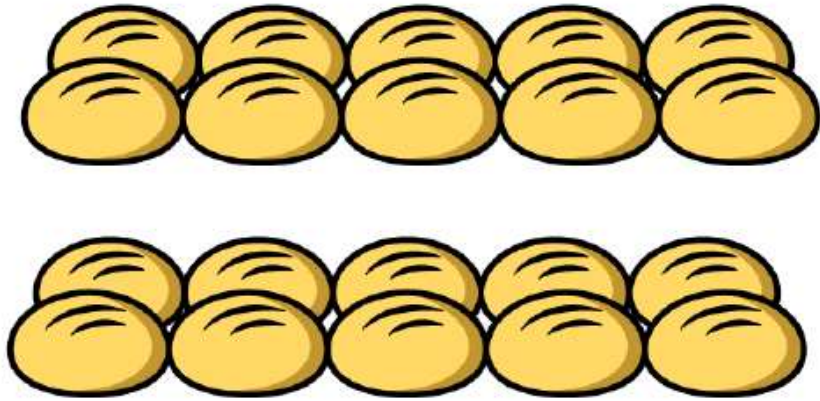
2 The perimeter of the pentagon is 25 cm.



Find the missing lengths.

ANSWERS

1 Sam has these bread rolls to sell.

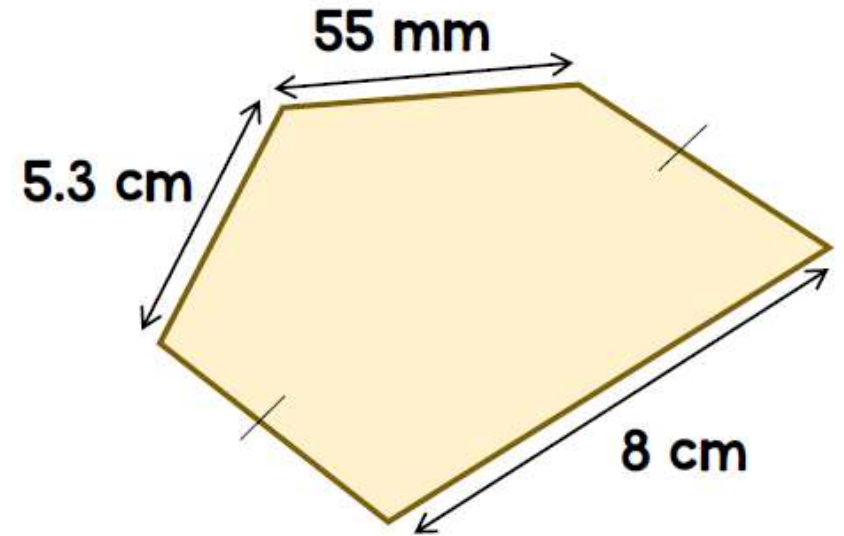


He sells 14 of the bread rolls.

How many does he have left?

Sam has 6 bread rolls left.

2 The perimeter of the pentagon is 25 cm.



Find the missing lengths.

Each of the missing lengths are 31 mm or 3.1 cm.

Investigations

Today are looking at maths investigations.

You will need to be able to notice patterns and then explain them.



Investigations

To be successful at investigations we need patience, resilience and perseverance.

Investigation take a lot more time and a lot more working out than a standard maths question.



Investigations

Get some paper ready. Today we have two investigations.



Investigation 1

To multiply any two digit number by 11, you can add the two digits of the number together, then put the sum between the two digits.

For example: to find 11×71

$$7 + 1 = 8$$

Therefore, the answer is 781

Will this always work when multiplying by a 2 digit number?
Why?

