

Monday Maths

L.O. To recognise right angles



Mathematical Talk

How many right angles make a half turn/three-quarter turn/
full turn?

Where can you see a right angle in the classroom/ around
school/ outside?

Which shapes contain right angles?

Can you think of a shape which doesn't have any right angles?

How many right angles does a _____ have?

Can you draw a shape with ____ right angles?

What headings would we place in our table?

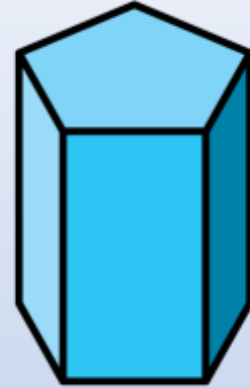
Flashback: How much can you remember?

- 1) Complete using = < or >
180 seconds 3 minutes

- 2) Order these times from earliest to latest
1:30 pm, 13:00, 11:00 am

- 3) Which is longer, 5 years or 58 months

- 4) Complete. $\times 3 = 2 \times 3 + 2 \times 3$



Flashback: Answers

1) Complete using = < or >
180 seconds 3 minutes

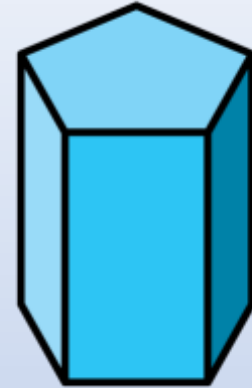
2) Order these times from earliest to latest

1:30 pm, 13:00, 11:00 am

11:00am, 13:00, 1:30pm

3) Which is longer, 5 years or 58 months **5 years**

4) Complete. $\times 3 = 2 \times 3 + 2 \times 3$



Learn:

Watch this video to give you a good understanding about right angles.

<https://vimeo.com/430336748>

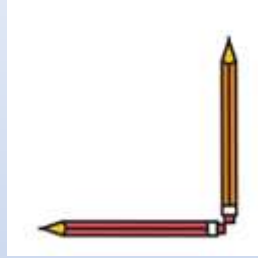
Angles are all around us. An angle is created when two straight lines meet.

Look at the picture below. Two of the pairs of pencils show angles, can you work out which ones?

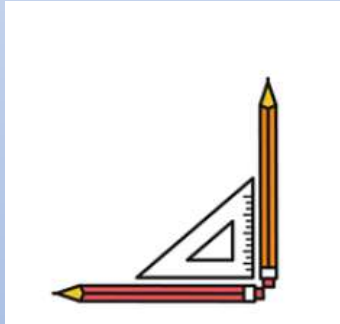


If your answer was the pair on the left and the pair on the right, then you are correct. The pair in the middle does not show an angle because the lines do not touch.

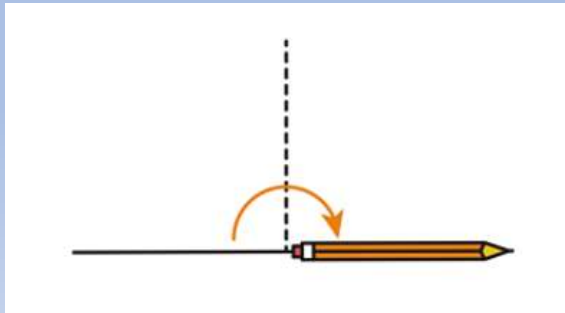
The picture below shows a right angle. This is a special type of angle that is a quarter of a full turn.



You can check whether an angle is a right angle by using a set square, like in the picture below.



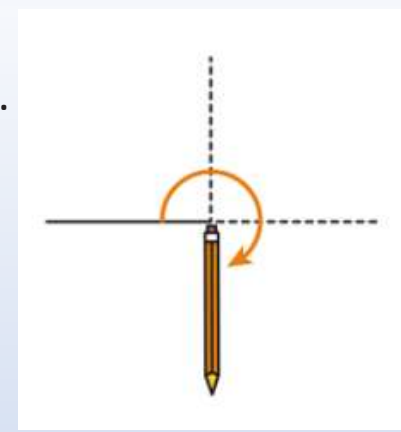
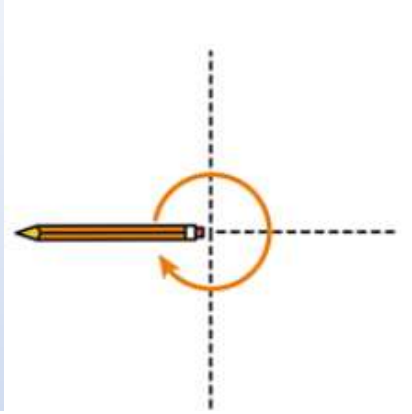
Two right angles together make a half turn...



So three angles make up?

So, three right angles make up three quarters of a full turn...

And four right angles make a full circle.



Practise

Activity 1

Finding angles in your name

Write your full name in capital letters, like the examples opposite.

- Highlight all of the right angles – how many are there?
- Which capital letter has the most right-angles?

Repeat the activity with one of your friend's names.

- Does their name have more or fewer right angles than yours?

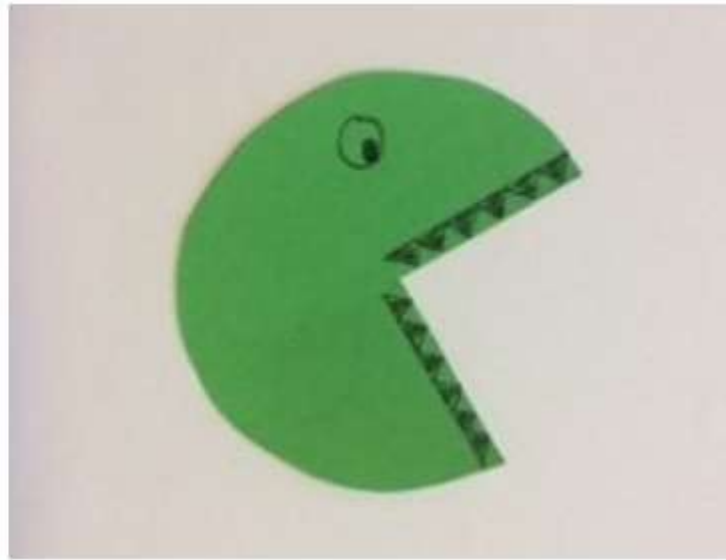
LOLA
JAMES

Activity 2

Make your own right-angle checker

For this activity, you are going to make your own **right-angle checker**.

1. Draw around a round object, such as a tin, to make a circle.
2. Divide the circle into four equal sections, then cut one of these out, so it looks something like the image opposite.
3. Finally, turn over your right-angle checker and decorate it however you like – why not add an eye and some teeth?

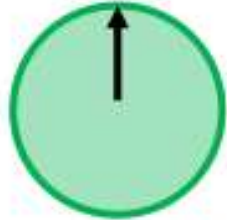


You now have your very own right-angle checker . Go on a hunt around your house and see how many right-angles you can find. The pictures below give you some good ideas!

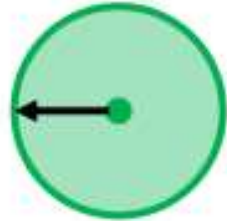


Challenge:

The arrow on a spinner started in this position.



After making a turn it ended in this position.



Jack says,



The arrow has moved
a quarter turn
anti-clockwise.

Alex says,



The arrow has moved
a three-quarter turn
clockwise.

Who do you agree with?

Challenge **Answers**: Both children are correct